

GRID NEWS

LATEST DEVELOPMENTS OF CHICAGO METALLIC™ GRIDS AND ACCESSORIES / SEPTEMBER 2018

BRING A SIGNATURE DESIGN TO ANY INSTALLATION

Rockfon® System Ultraline E™ is a functional ceiling system that provides robust rigidity and quality. Easy to install, this versatile system uses our Chicago Metallic™ Ultraline 3500 grid and delivers an elegant, linear ceiling expression in a variety of colour combinations.



PAGE 2

MULTIPURPOSE FUNCTION

Our Double Layer Clip (DLC) can be used to form a primary grid around ceiling void obstructions and create non-combustible support arms for ceiling integrated services.

PAGE 3

CUT AWAY

To help avoid unsightly perimeter installations, we have developed an X-edge knife to give you an extra 25 mm of installation space without impacting the front face of the tile.

PAGE 4

BESPOKE MODIFICATIONS TO YOUR INSTALLATION

Use our T-profile connectors to create quick and easy on the job solutions that provide great flexibility.

PAGE 4

AN AFFORDABLE, ROBUST AND ELEGANT CEILING SYSTEM

Rockfon System Ultraline E is a robust, versatile system that combines our Chicago Metallic Ultraline 3500 grid and our E edge tiles to deliver an elegant, linear ceiling expression in a variety of colour combinations. It can either be mounted directly to the soffit or suspended at your required height.

Getting in the groove

Chicago Metallic Ultraline 3500 main runners and cross tees are highlighted by a narrow groove or recess available in a variety of colour combinations; white/black, grey/black, black/black and white/white.

The slender recesses are crisply mitred, giving the main runners and cross tee intersections a flawless and continuous visual. The recess also doubles for the easy integration of partitions, track lighting and signs. This is easily achieved by positioning a sliding T-head bolt or a PVC button slide. This makes the system ideal in retail shops where signage is often suspended from the ceiling or in corridors indicating the nearest fire exit.

Cutting edge ceiling designs and patterns

The main runners and/or cross tees can be made on demand, with special slot distances and/or cutouts on one side of the profile creating a staggered pattern ceiling layout. Chicago Metallic Ultraline 1200 tees are available in two versions; one with a cutout for 600 cross tees and one without, which is used for 1200 mm tiles or larger.

Should you have mistakenly purchased a Chicago Metallic Ultraline 1200 cross tee with a cutout, we do offer a cutout cover, which will conceal the hole in the cross tee.

✓
Design freedom with colours and contrast in two directions.

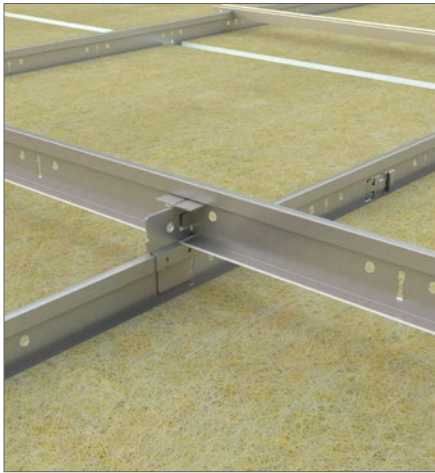
✓
Functional system for attachment of signage and safety messages.

✓
Every tile is demountable for quick and easy access to services in the ceiling void.

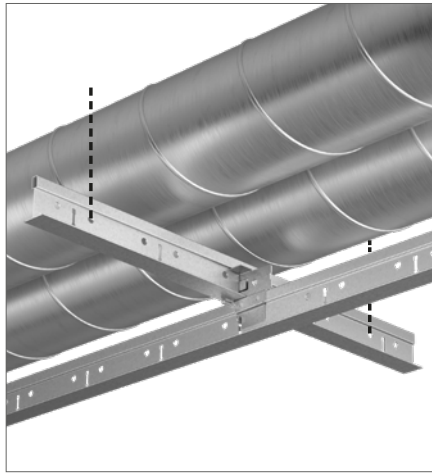
Check out our installation video library

We have recently updated our installation video library with Rockfon System Ultraline E. Be sure to check out the video and subscribe to our YouTube channel for other interesting content.

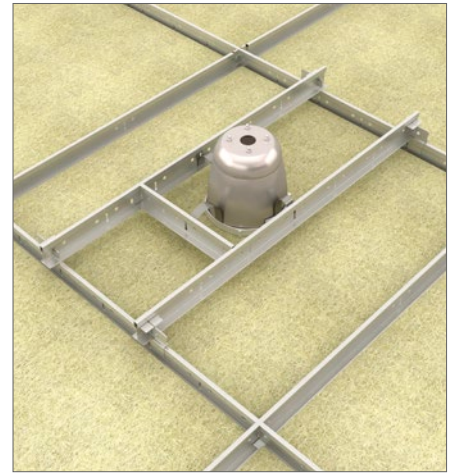




Above the ceiling view of the DLC clip being used to create a primary grid around obstructions in the ceiling.



Below the ceiling view of a DLC clip being used to create a primary grid below some ductwork.



Above the ceiling view of a DLC clip being used to create and fix non-combustible support arms for a fitting around a light.

MULTIPURPOSE FUNCTION

Rockfon® System T24 X DLC™ is a ceiling system for our X-edge concealed ceiling tiles, which are available in Rockfon Blanka®, Rockfon Color-all® and Rockfon® MediCare® Plus ranges. The system consists of a double layer grid layout, with the upper primary and lower secondary grid layers being connected via the specially designed clip (DLC), providing extra stability and easy installation of larger ceiling tiles. The clip is also a multi-purpose component that can be used with all our Chicago Metallic T24 & Chicago Metallic T15 grids.

BRIDGING THE GAP

Having to build a primary grid around ductwork, pipes or a support column can be a time consuming and costly solution when installing a suspended ceiling. With our Double Layer Clip (211183), building your modular ceiling around obstacles is much easier.

- 1 To begin, cut a piece of 'bridging' main runner and suspend it from the soffit. The bridging main runner should be suspended on both sides of the obstruction, creating a bridge.
- 2 Once secure, attach the secondary ceiling's main runner directly to the bridge using the Double Layer Clip.
- 3 You are then ready to finish installing your grid and ceiling tiles.

WEIGHT DISTRIBUTION

Another useful function of the clip is that it can be used to create and fix non-combustible support arms for ceiling service integration. The clip enables you to attach a T-profile above the main suspended T-profiles, spreading the weight of the service over the grid. This ensures that no load is resting on the tile and that the weight is evenly spread over the grid.

Perfect for work around solutions when installing your ceiling

It can be used with our Chicago Metallic T24 and Chicago Metallic T15 grids

Used to create and fix support arms for services integrated in the ceiling

Performance



Reaction to fire
A1



Corrosion Resistance
B



Environment
Fully recyclable



Load bearing capacity
20 kilos



Cut away with the new X-edge knife

As the cross tees are nestled closely to the wall, installing the perimeter tiles of concealed ceilings can be a real challenge and can impact the visual finish of the room.

To help avoid unsightly perimeter installations when working with our X-edge, M-edge and Z-edge tiles, we have developed our X-edge knife (259250), which gives you an extra 25mm installation space without impacting on the front face of the tile. The X-edge knife works by cutting away only from the back of the tile, without damaging the front face, enabling you to easily slide the tile over cross tees and on to the perimeter trim.

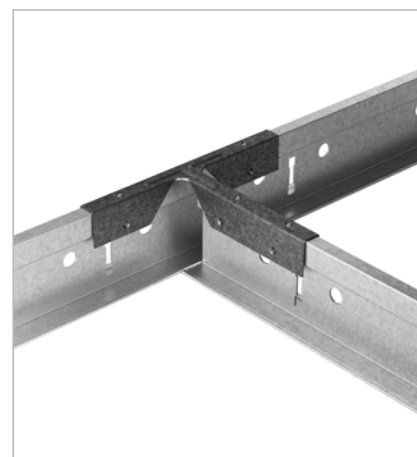
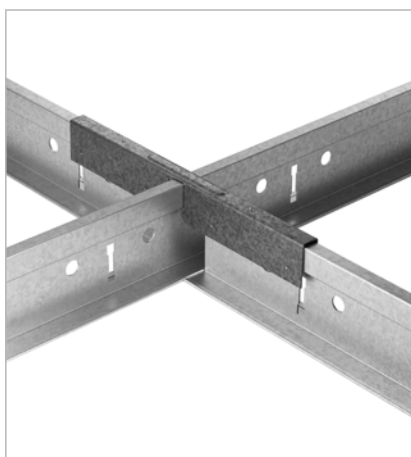
Create quick and easy bespoke modifications to your installation

Easy to use, our Chicago Metallic T-profile connectors are perfect for creating secure bespoke solutions on any site and removes the need for makeshift configurations.

A cost effective solution that can be used with all Chicago Metallic cross tees and main runners, our T-profile connectors are used to securely couple a profile to another where,

for example, there is no available slot. The T-profile connectors are also perfect for reinforcing an installation and can be screw fastened to provide additional security if needed.

Depending on your needs, we offer a T-profile connector for one-side coupling (211226) and another for dual-side coupling (211777).



Quick and easy mounting



Makes T connections possible everywhere on the grid



Works with all Chicago Metallic profiles (38 mm height)

Performance



Reaction to fire
A1



Corrosion Resistance
B



Environment
Fully recyclable



Rockfon
ROCKWOOL Limited T/A Rockfon
14th Floor, Chiswick Tower, 389
Chiswick High Road,
London W4 4AL
Tel: +44 (0) 208 222 7457
www.rockfon.co.uk